



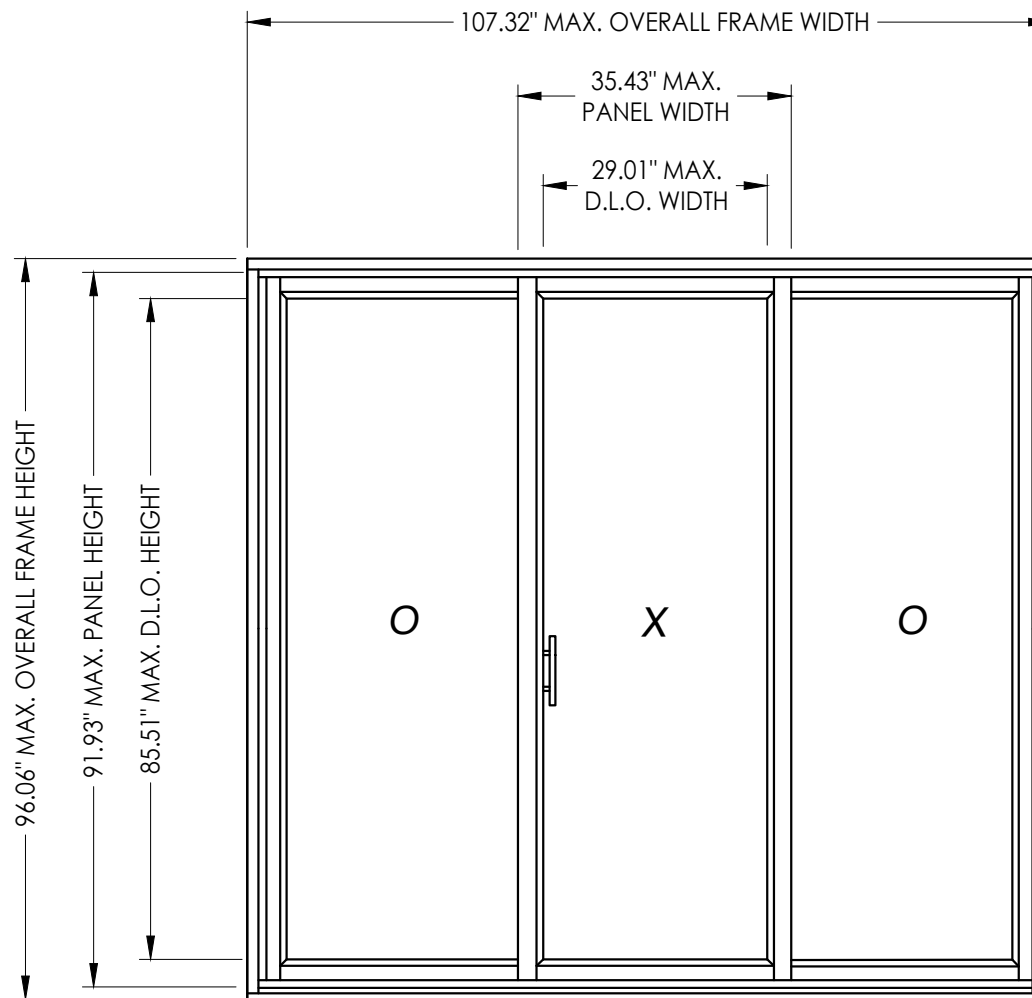
250 Staunton Turnpike, Parkersburg, WV 26104

# 400/500 Series Vinyl Sliding Patio Door "NON-IMPACT"

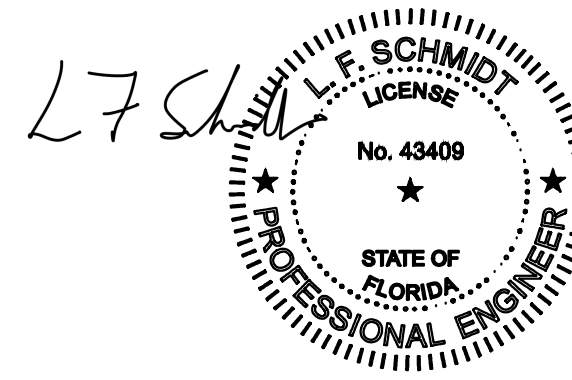
### GENERAL NOTES

- This product has been evaluated and is in compliance with the 8th Edition (2023) Florida Building Code (FBC) structural requirements excluding the "High Velocity Hurricane Zone" (HVHZ).
- Product anchors shall be as listed and spaced as shown on details. Anchor embedment to base material shall be beyond wall dressing or stucco.
- When used in areas requiring wind borne debris protection this product is required to be protected with an impact resistant covering that complies with FBC Sections 1609.1.2 & R301.2.1.2.
- For 2x stud framing construction, anchoring of these units shall be the same as that shown for 2x buck masonry construction.
- Site conditions that deviate from the details of this drawing require further engineering analysis by a licensed engineer or registered architect.

| TABLE OF CONTENTS |   |
|-------------------|---|
| SHEET#            | DESCRIPTION   |
| 1                 | Typical elevation, design pressures & general notes |
| 2                 | Horizontal cross sections                           |
| 3                 | Vertical cross sections                             |
| 4                 | Buck & frame anchoring                              |
| 5                 | Glazing details                                     |
| 6                 | Bill of materials & components                      |



| OVERALL FRAME DIMENSION | MAX. PANEL DIMENSION | MAX. D.L.O. DIMENSION | GLASS TYPE | DESIGN PRESSURE (PSF) |          |
|-------------------------|----------------------|-----------------------|------------|-----------------------|----------|
|                         |                      |                       |            | POSITIVE              | NEGATIVE |
| 107.32" x 96.06"        | 35.43" X 91.93"      | 29.01" X 85.51"       | G1, G2, G3 | +35.0                 | -35.0    |



This item has been digitally signed and sealed by L. F. Schmidt, P.E. on the date adjacent to the seal. Printed copies of this document are not considered signed and sealed and the signature must be verified on any electronic copies.

THIS PRODUCT APPROVAL IS VALID ONLY FOR THE STATE OF FLORIDA

Documents Prepared By: Lyndon F. Schmidt P.E. No. 43409

R.W. BUILDING CONSULTANTS, INC. P.O. Box 230, Vairico, FL 33595 Phone No.: 813.659.9197 FBPE Registry No. 9813

PRODUCT: 400/500 SERIES SLIDING PATIO DOORS

PART OR ASSEMBLY: TYPICAL ELEVATION, DESIGN PRESSURES & GENERAL NOTES

| NO. | DATE    | BY  | REVISIONS                    |
|-----|---------|-----|------------------------------|
| 4   | 7/06/23 | LFS | UPDATE TO 8TH ED. (2023) FBC |
| 3   | 7/06/20 | LFS | UPDATE TO 7TH ED. (2020) FBC |
| 2   | 6/01/17 | LFS | UPDATE TO 6TH ED. (2017) FBC |
| 1   | 1/28/15 | JK  | UPDATE TO 5TH ED. (2014) FBC |

DATE: 8/18/14

SCALE: N.T.S.

DWG. BY: JK

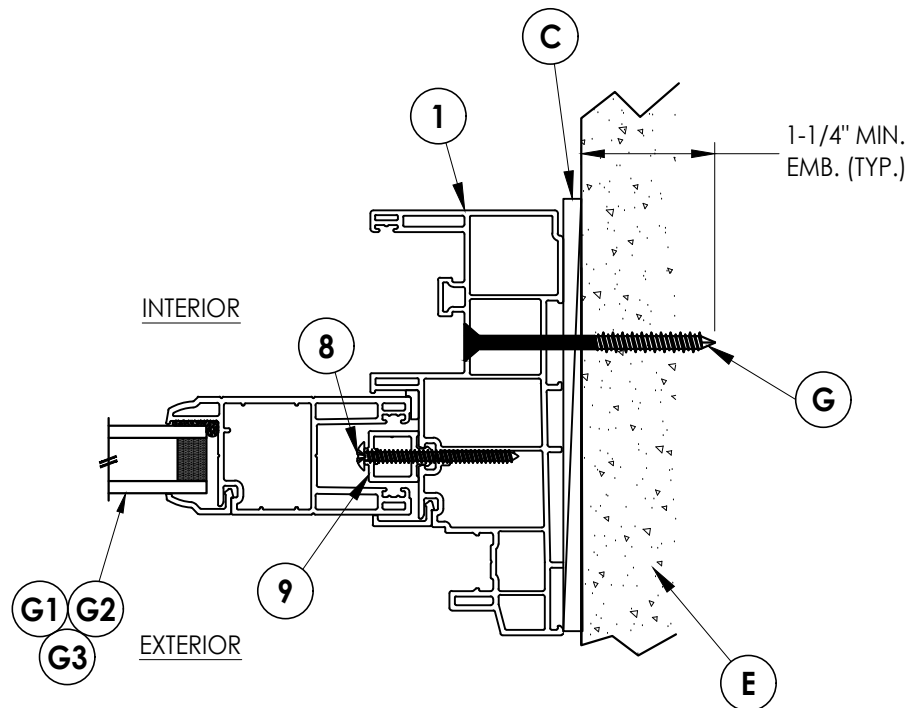
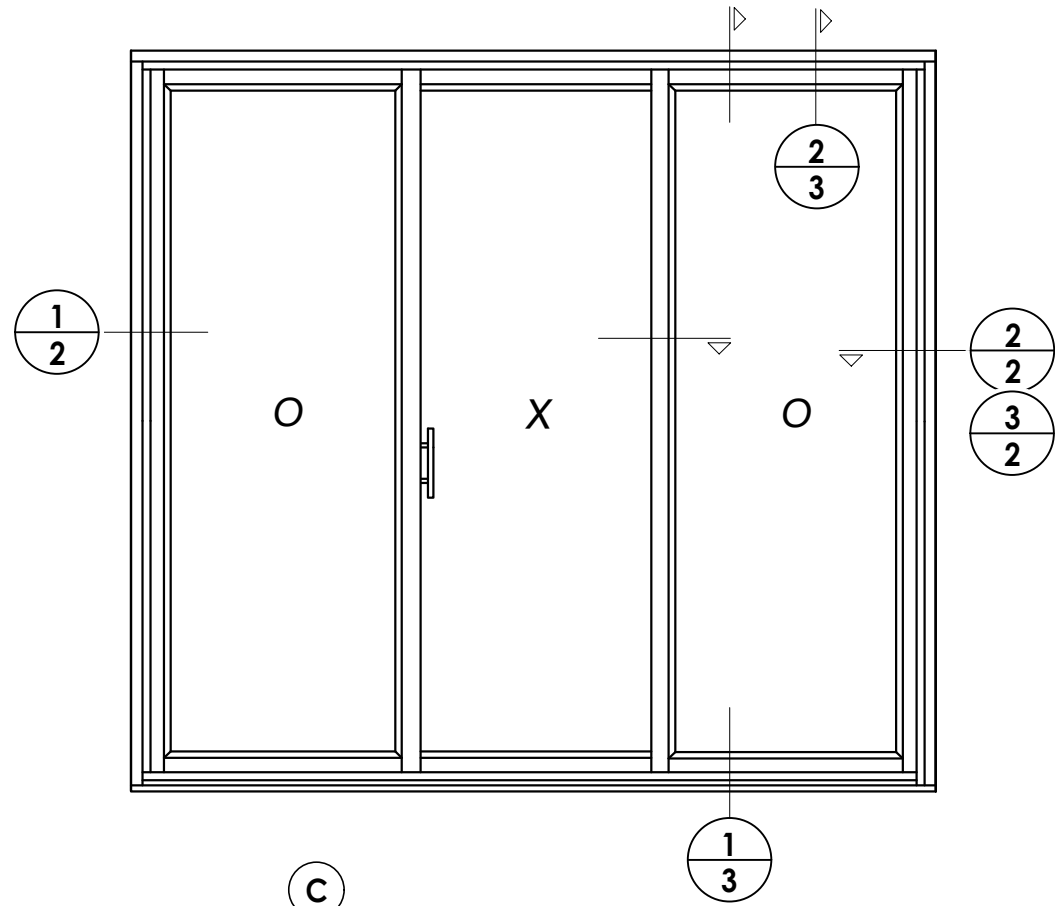
CHK. BY: LFS

DRAWING NO.: FL-16216.9

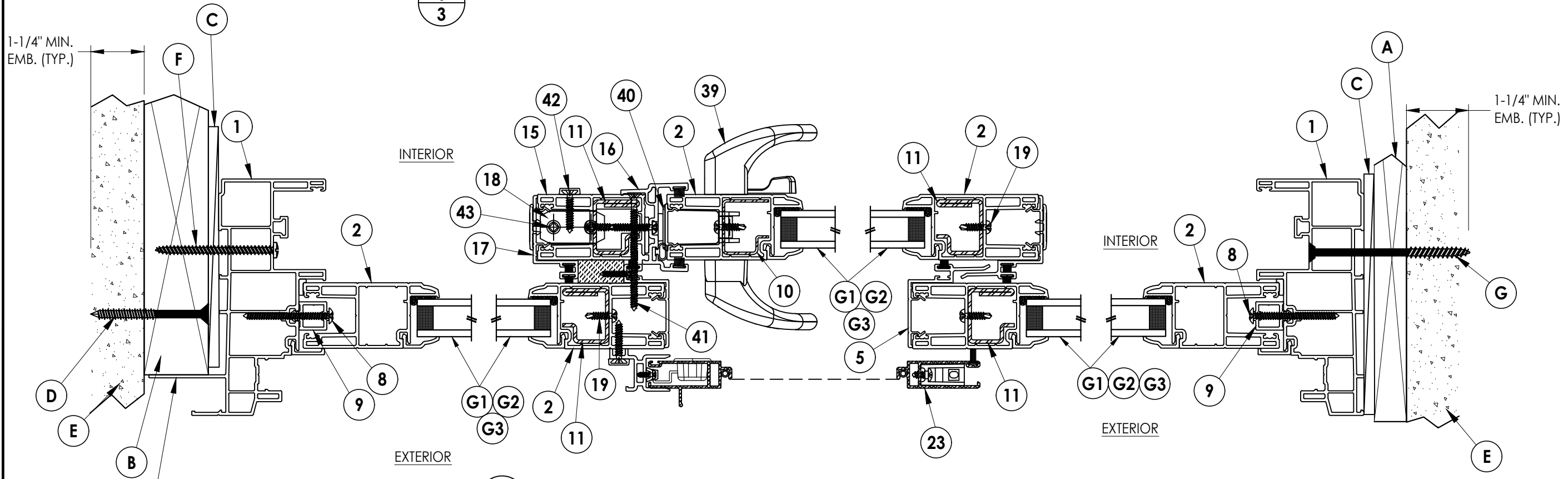
SHEET 1 OF 6

© 2014 R.W. BUILDING CONSULTANTS INC.

Z:\2023 FBC Drawings\Wincore Window Company\FL-16216 R14\FL-16216.8-11.dwg



**3** HORIZONTAL CROSS SECTION  
2 Shown Direct to Masonry



**1** HORIZONTAL CROSS SECTION  
2 Shown w/ 2X Buck

**2** HORIZONTAL CROSS SECTION  
2 Shown w/ 1X Buck

NOTE: Install sealant under fin when optional fin installation is used. Anchor through frame as shown - anchors not required through fin.

Documents Prepared By:  
Lyndon F. Schmidt  
P.E. No. 43409

**RW** BUILDING CONSULTANTS, INC.  
P.O. Box 230, Valrico, FL 33595  
Phone No.: 813.659.9197  
FBPE Registry No. 9813

PRODUCT: 400/500 SERIES  
SLIDING PATIO DOORS

PART OR ASSEMBLY:  
HORIZONTAL  
CROSS SECTIONS

| NO. | DATE    | REVISIONS                | BY      |
|-----|---------|--------------------------|---------|
| 4   | 7/06/23 | UPDATE TO 8TH ED. (2023) | FBC LFS |
| 3   | 7/06/20 | UPDATE TO 7TH ED. (2020) | FBC LFS |
| 2   | 6/01/17 | UPDATE TO 6TH ED. (2017) | FBC LFS |
| 1   | 1/28/15 | UPDATE TO 5TH ED. (2014) | FBC JK  |

DATE: 8/18/14

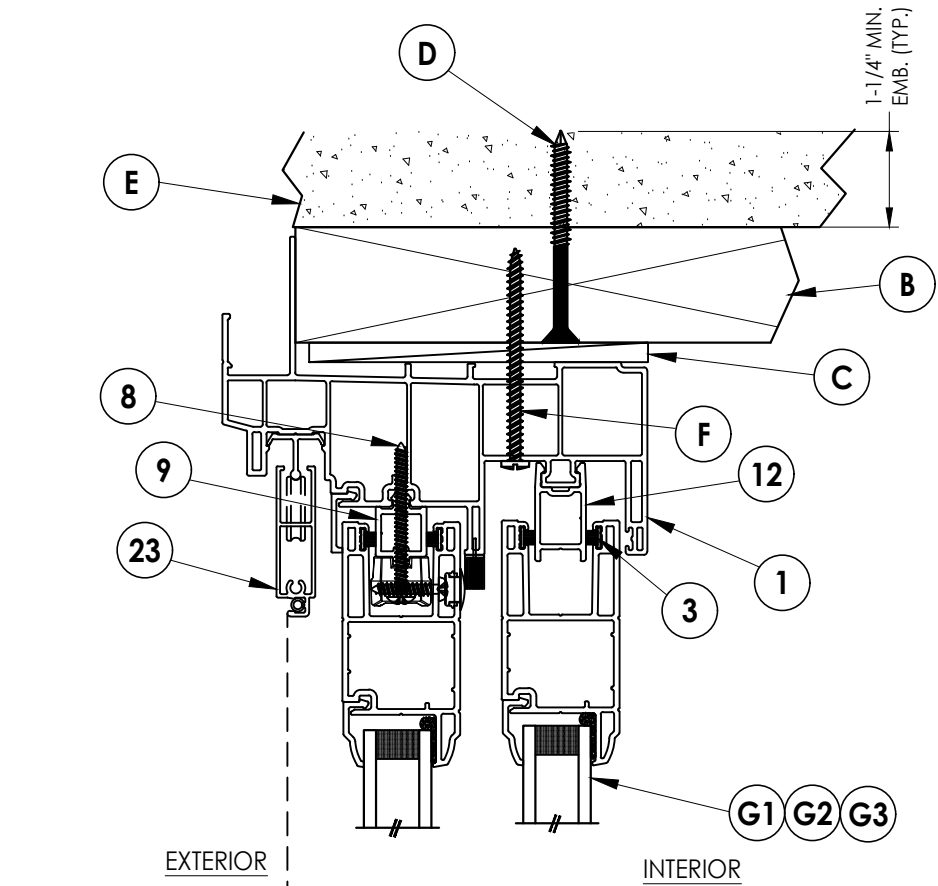
SCALE: N.T.S.

DWG. BY: JK

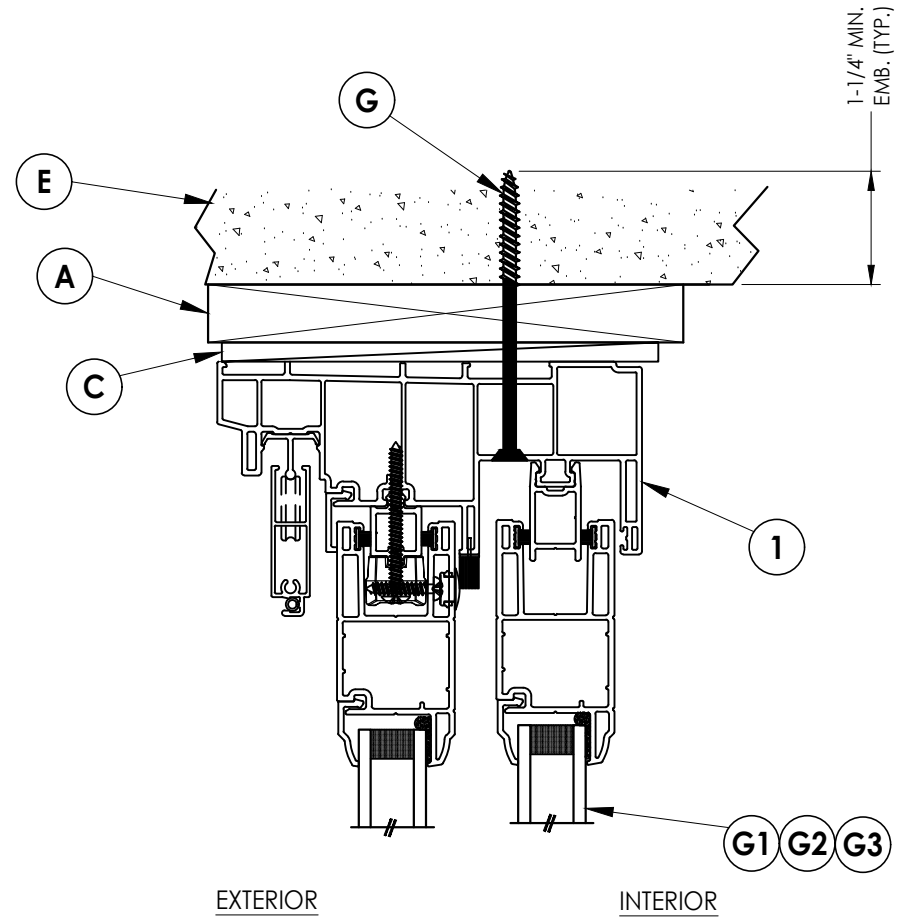
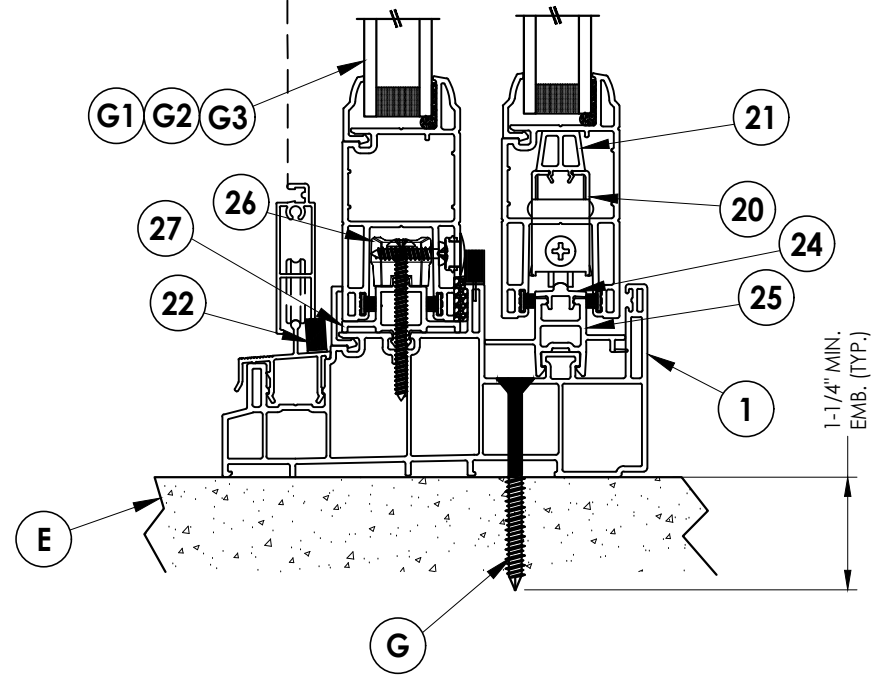
CHK. BY: LFS

DRAWING NO.: FL-16216.9

SHEET 2 OF 6

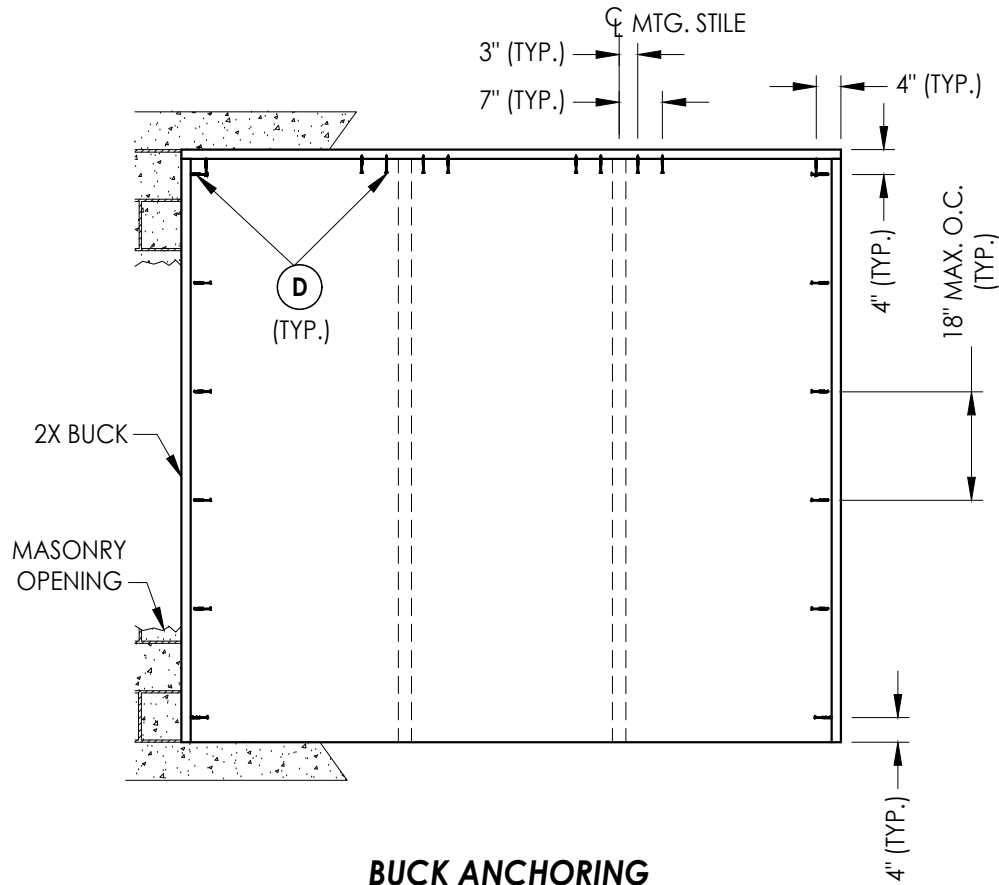


**1 VERTICAL CROSS SECTION**  
**3** Shown w/ 2X Buck at head & Direct to Masonry @ sill

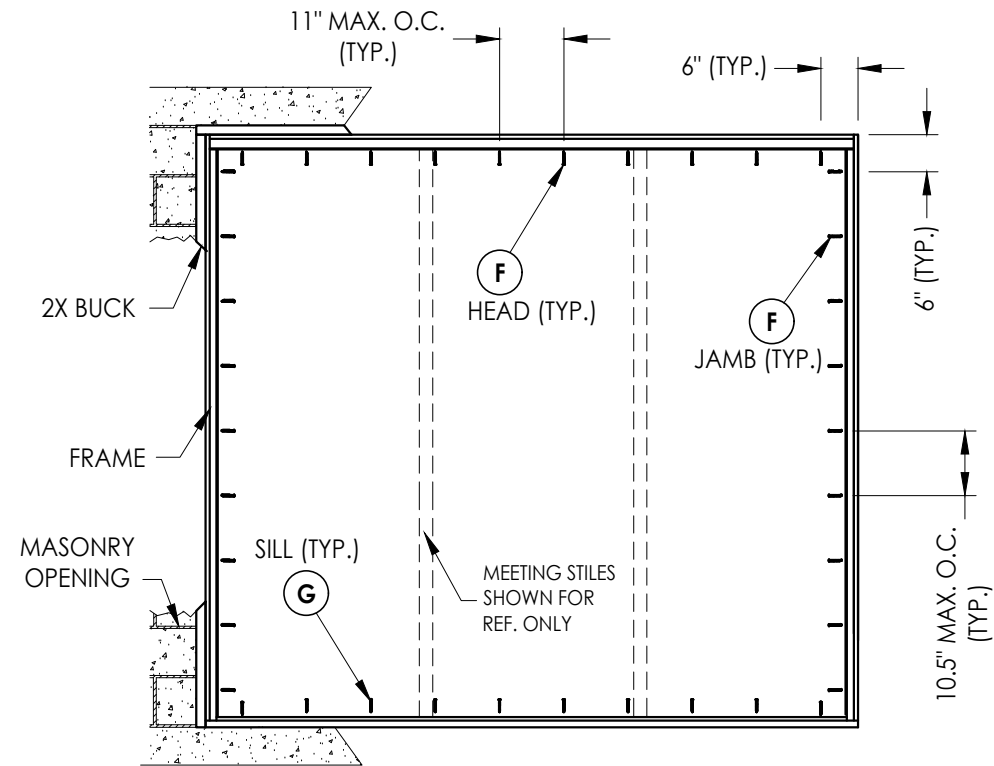


**2 VERTICAL CROSS SECTION**  
**3** Shown w/ 1X Buck

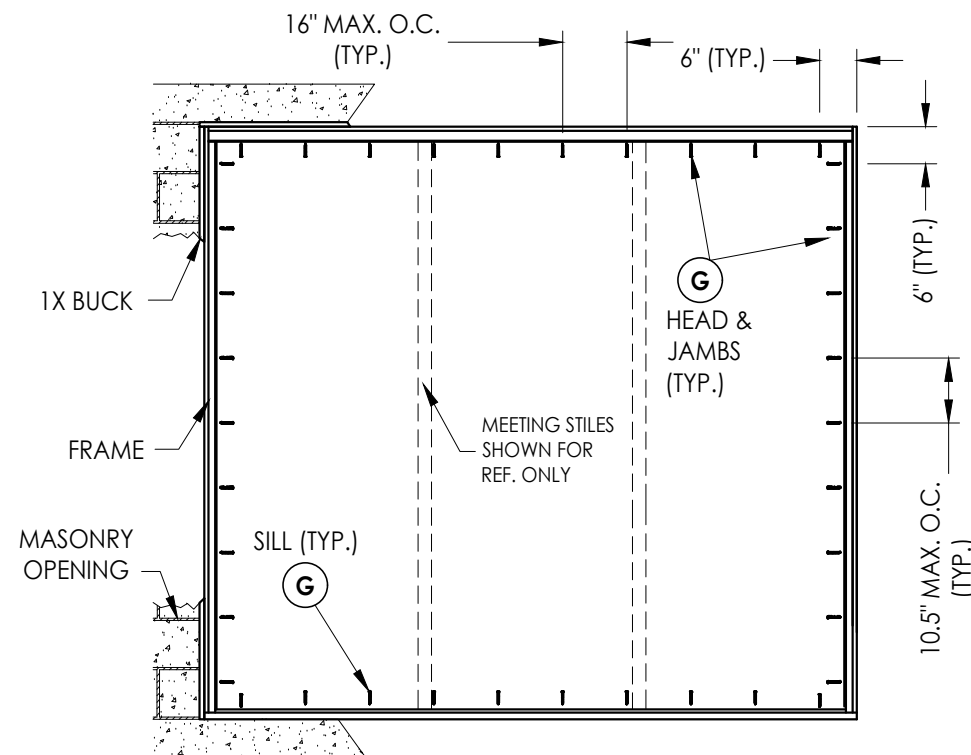
|   |         |  |         |
|---|---------|--|---------|
| Documents Prepared By:<br>Lyndon F. Schmidt<br>P.E. No. 43409 |         | BUILDING CONSULTANTS, INC.<br>P.O. Box 230, Valrico, FL 33595<br>Phone No.: 813.659.9197<br>FBPE Registry No. 9813 |         |
| PRODUCT:<br>400/500 SERIES<br>SLIDING PATIO DOORS             |         | PART OR ASSEMBLY:<br>VERTICAL<br>CROSS SECTIONS  |         |
|   |         |  |         |
| 4   | 7/06/23 | UPDATE TO 8TH ED. (2023)   | FBC LFS |
| 3   | 7/06/20 | UPDATE TO 7TH ED. (2020)   | FBC LFS |
| 2   | 6/01/17 | UPDATE TO 6TH ED. (2017)   | FBC JK  |
| 1   | 1/28/15 | UPDATE TO 5TH ED. (2014)   | FBC JK  |
|   | NO.     | DATE   | BY      |
| REVISIONS   |         |  |         |
| DATE: 8/18/14   |         |  |         |
| SCALE: N.T.S.   |         |  |         |
| DWG. BY: JK   |         |  |         |
| CHK. BY: LFS  |         |  |         |
| DRAWING NO.:<br>FL-16216.9                                    |         |  |         |
| SHEET 3 OF 6  |         |  |         |



**BUCK ANCHORING**  
Masonry



**FRAME ANCHORING**  
2X Buck



**FRAME ANCHORING**  
1X Buck, Direct to Masonry

**CONCRETE ANCHOR NOTES:**

1. Concrete anchor locations at the corners may be adjusted to maintain the min. edge distance to mortar joints.
2. Concrete anchor locations noted as "MAX. ON CENTER" must be adjusted to maintain the min. edge distance to mortar joints, additional concrete anchors may be required to ensure the "MAX. ON CENTER" dimension are not exceeded.
3. Concrete anchor table:

| ANCHOR TYPE    | ANCHOR SIZE | MIN. EMBEDMENT | MIN. CLEARANCE TO MASONRY EDGE | MIN. CLEARANCE TO ADJACENT ANCHOR |
|----------------|-------------|----------------|--------------------------------|-----------------------------------|
| ITW TAPCON®    | 1/4"        | 1-1/4"         | 2"                             | 4"                                |
| ELCO ULTRACON® | 1/4"        | 1-1/4"         | 1"                             | 4"                                |

**WOOD SCREW INSTALLATION NOTES:**

1. Maintain a minimum 5/8" edge distance, 1" end distance, & 1" o.c. spacing of wood screws to prevent the splitting of wood.

Documents Prepared By:  
Lyndon F. Schmidt  
P.E. No. 43409

**RW** BUILDING CONSULTANTS, INC.  
P.O. Box 230, Valrico, FL 33595  
Phone No.: 813.659.9197  
FBPE Registry No. 9813

PRODUCT: 400/500 SERIES  
SLIDING PATIO DOORS

PART OR ASSEMBLY:  
BUCK & FRAME  
ANCHORING

| NO. | DATE    | REVISIONS                    | BY  |
|-----|---------|------------------------------|-----|
| 4   | 7/06/23 | UPDATE TO 8TH ED. (2023) FBC | LFS |
| 3   | 7/06/20 | UPDATE TO 7TH ED. (2020) FBC | LFS |
| 2   | 6/01/17 | UPDATE TO 6TH ED. (2017) FBC | LFS |
| 1   | 1/28/15 | UPDATE TO 5TH ED. (2014) FBC | JK  |

DATE: 8/18/14

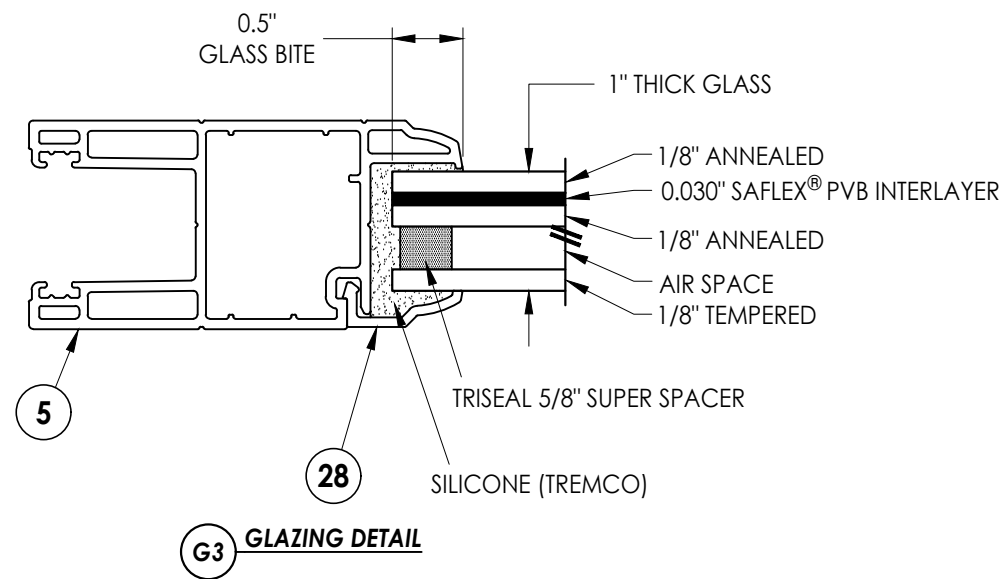
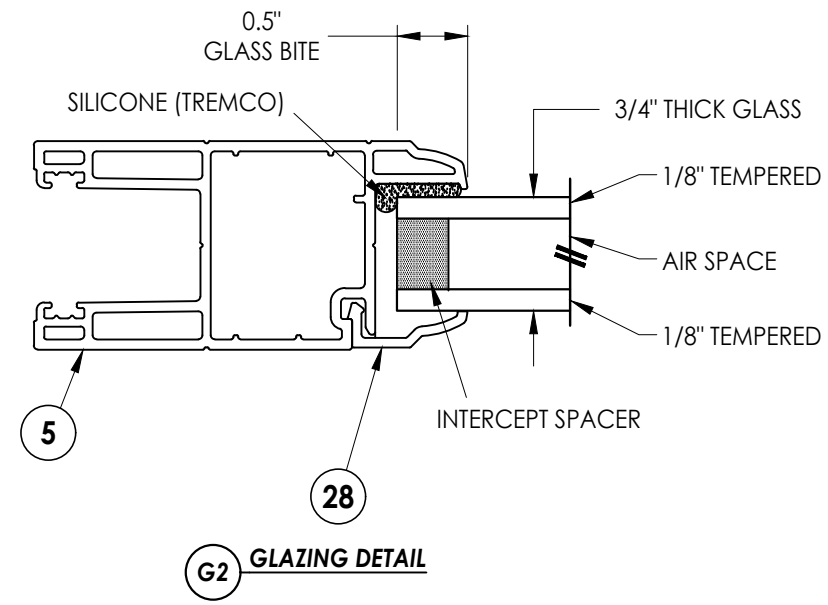
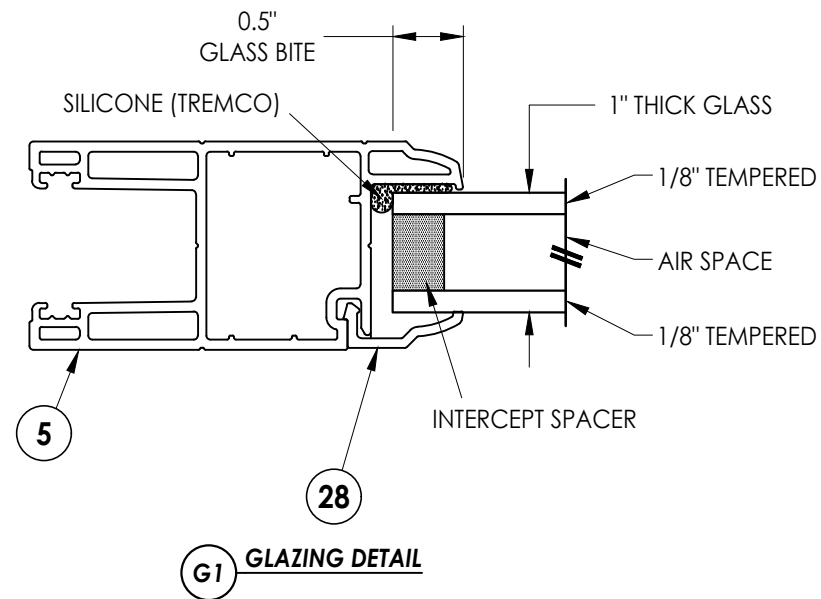
SCALE: N.T.S.

DWG. BY: JK

CHK. BY: LFS

DRAWING NO.:  
FL-16216.9

SHEET 4 OF 6



Documents Prepared By:  
Lyndon F. Schmidt  
P.E. No. 43409

**RW** BUILDING CONSULTANTS, INC.  
P.O. Box 230, Vairico, FL 33595  
Phone No.: 813.659.9197  
FBPE Registry No. 9813

PRODUCT: 400/500 SERIES  
SLIDING PATIO DOORS

PART OR ASSEMBLY:  
GLAZING DETAILS

| NO. | DATE    | REVISIONS                        |
|-----|---------|----------------------------------|
| 4   | 7/06/23 | UPDATE TO 8TH ED. (2023) FBC LFS |
| 3   | 7/06/20 | UPDATE TO 7TH ED. (2020) FBC LFS |
| 2   | 6/01/17 | UPDATE TO 6TH ED. (2017) FBC LFS |
| 1   | 1/28/15 | UPDATE TO 5TH ED. (2014) FBC JK  |

DATE: 8/18/14

SCALE: N.T.S.

DWG. BY: JK

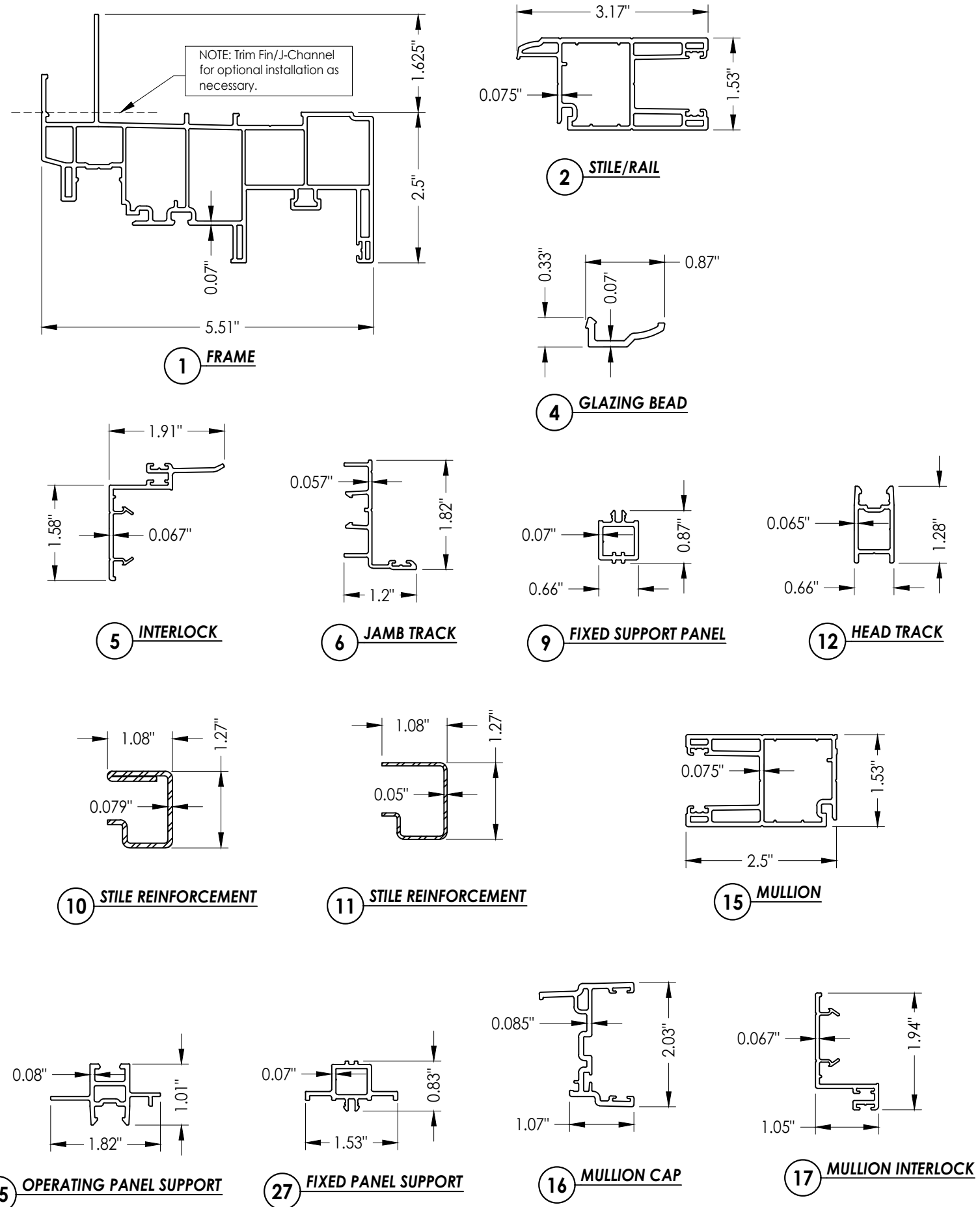
CHK. BY: LFS

DRAWING NO.:  
FL-16216.9

SHEET 5 OF 6

| BILL OF MATERIALS |  |          |
|-------------------|--|----------|
| ITEM #            | DESCRIPTION  | MATERIAL |
| A                 | 1X BUCK SG >= 0.55   | WOOD     |
| B                 | 2X BUCK SG >= 0.55   | WOOD     |
| C                 | 1/4" MAX. SHIM SPACE   | -        |
| D                 | 1/4" X 2-3/4" ELCO OR ITW CONCRETE SCREW   | STEEL    |
| E                 | MASONRY - 3,000 PSI MIN. CONCRETE CONFORMING TO ACI 301 OR HOLLOW BLOCK CONFORMING TO ASTM C90 | CONCRETE |
| F                 | #10 PPH WOOD SCREW (1-3/8" MIN. EMBEDMENT REQ'D INTO WOOD)                                     | STEEL    |
| G                 | 1/4" ELCO OR ITW CONCRETE SCREW (1-1/4" MIN. EMBEDMENT REQ'D. INTO CONCRETE)                   | STEEL    |
| 1                 | FRAME*   | PVC      |
| 2                 | STILE/RAIL*  | PVC      |
| 3                 | WEATHERSTRIP (SCHLEGEL #HF-7522-270)   | -        |
| 4                 | GLAZING BEAD*  | PVC      |
| 5                 | INTERLOCK*   | PVC      |
| 6                 | JAMB TRACK*  | PVC      |
| 7                 | WEATHERSTRIP (SCHLEGEL #PB-8420-187)   | -        |
| 8                 | #8 X 2" PAN HEAD QUADREX SCREW   | STEEL    |
| 9                 | FIXED SUPPORT PANEL*   | PVC      |
| 10                | STILE REINFORCEMENT (CS TYPE B HOT DIPPED GALV.)   | STEEL    |
| 11                | STILE REINFORCEMENT (CS TYPE B HOT DIPPED GALV.)   | STEEL    |
| 12                | HEAD TRACK*  | PVC      |
| 15                | MULLION*   | PVC      |
| 16                | MULLION CAP*   | PVC      |
| 17                | MULLION INTERLOCK*   | PVC      |
| 18                | MULLIN ANCHOR BLOCK  | -        |
| 19                | #8 X 5/8" PAN HEAD, SQUARE, SELF-DRILLING SCREW  | STEEL    |
| 20                | TANDEM WHEEL (TRUTH)   | -        |
| 21                | TANDEM WHEEL SHIM*   | PVC      |
| 22                | INSECT STOP  | -        |
| 23                | SCREEN   | -        |
| 24                | SLIDING PANEL RAIL   | ALUM     |
| 25                | OPERATING PANEL SUPPORT*   | PVC      |
| 26                | FIXED SASH ANCHOR BLOCK  | -        |
| 27                | FIXED PANEL SUPPORT*   | PVC      |
| 39                | HANDLE KIT   | STEEL    |
| 40                | MORTISE LOCK KIT/KEEPER  | S.S.     |
| 41                | #8 X 2-3/4" FLAT HEAD QUADREX WOOD SCREW   | STEEL    |
| 42                | #8 X 1" FLAT HEAD QUADREX WOOD SCREW   | STEEL    |
| 43                | #10 X 2-1/2" FLAT HEAD QUADREX WOOD SCREW  | STEEL    |

\* THE APPROVED WHITE RIGID PVC EXTERIOR EXTRUSIONS FOR WINDOWS ARE TO BE PRODUCED BY EXTRUDERS LICENSEES IN "AAMA CERTIFICATION PROGRAMS FOR RIGID PVC EXTRUSIONS".



Documents Prepared By:  
Lyndon F. Schmidt  
P.E. No. 43409

**R.W.** BUILDING CONSULTANTS, INC.  
P.O. Box 230, Valrico, FL 33595  
Phone No.: 813.659.9197  
FBPE Registry No. 9813

PRODUCT: 400/500 SERIES  
SLIDING PATIO DOORS

PART OR ASSEMBLY:  
BILL OF MATERIALS  
& COMPONENTS

| NO. | DATE    | REVISIONS                        |
|-----|---------|----------------------------------|
| 4   | 7/06/23 | UPDATE TO 8TH ED. (2023) FBC LFS |
| 3   | 7/06/20 | UPDATE TO 7TH ED. (2020) FBC LFS |
| 2   | 6/01/17 | UPDATE TO 6TH ED. (2017) FBC LFS |
| 1   | 1/28/15 | UPDATE TO 5TH ED. (2014) FBC JK  |
|     |         | NO. DATE                         |

DATE: 8/18/14

SCALE: N.T.S.

DWG. BY: JK

CHK. BY: LFS

DRAWING NO.:

FL-16216.9

SHEET 6 OF 6